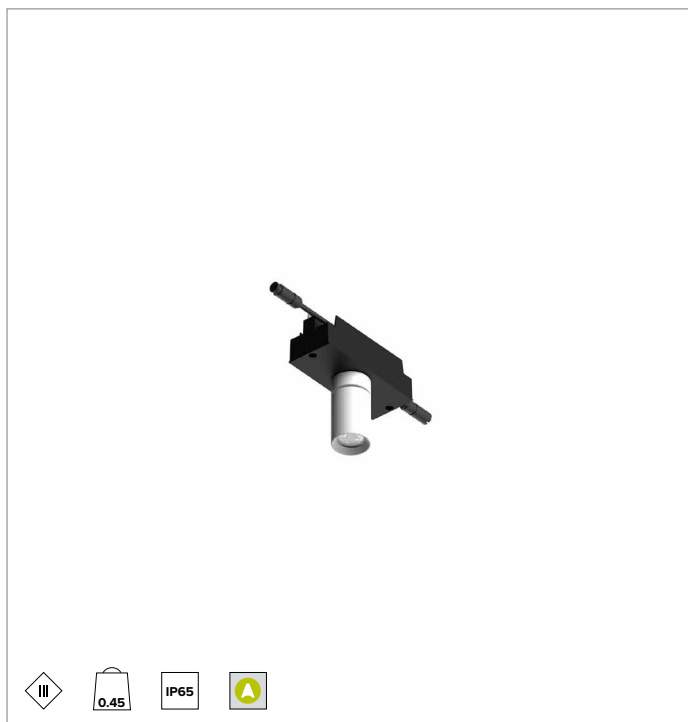
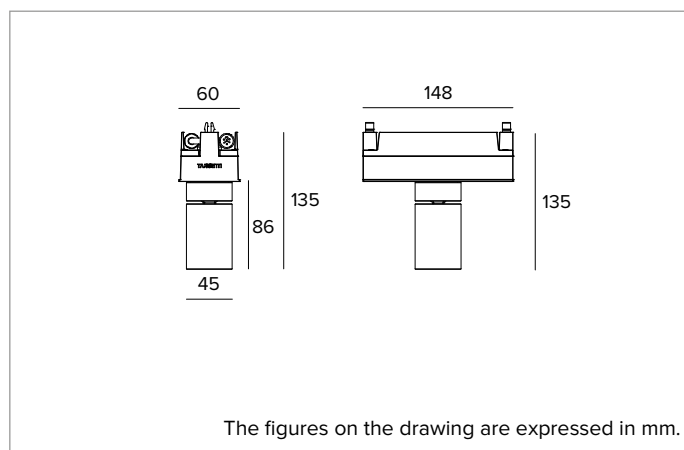


## 1E4201CA | IVY Single projector

Adjustable LED 1x light module, powered at low voltage, to be installed into the installation profile



	4000K	H(m)	D(m)	Emax(lx)		
	Ra90			21°		
	Fixture Power	7W	1	0.38	3738	
	Source Flux	758lm	2	0.75	934	
	Fixture Flux	639lm	3	1.13	415	
	Efficacy	90lm/W	4	1.51	234	
TS1645	I <sub>max</sub> =4931cd/klm	I <sub>max</sub>	3738cd	5	1.89	150



### SOURCE

High efficiency Chip on Board LED Ra90.

**Energy efficiency class:** F

**Nominal power:** 6,4W

**Nominal flux:** 758lm

**Colour rendering index:** 90

**Rf:** 90

**Rg:** 98

**CCT nominal:** 4000K

**SDCM:** 3

**Lifetime (L80/B10):** >50000h tq +25°C

### ILLUMINOTECHNICAL CHARACTERISTICS

SP beam. Optic equipped with an acrylic collimator lens and integrated holographic diffusive filter.

**Optic:** LENS

**Beam angles:** SP

**Optical efficiency:** 84%

**Fixture flux:** 639lm

**Luminous efficacy:** 90lm/W

**Photobiological safety:** Compliant with RG1 low risk group

### MECHANICAL CHARACTERISTICS

Cylindrical aluminium body obtained through CNC machining process and protected with a layer of black anodization with a minimum thickness of 15µ. Powder painted white. Tempered extra clear front glass. Aluminium joint with locking system. Adjustability of the optical unit of 90° on the vertical plane (friction locking system) and 355° on the horizontal plane with the possibility of mechanical aiming locking through no tools system. Electronic components hosted inside a polymeric plastic box sealed by a silicone rubber gasket.

**Colour and finish:** White

**Dimensions:** L=148mm

**Weight:** 0.45Kg

**Version:** CASAMBI

**Degree of protection:** IP65

### ELECTRICAL CHARACTERISTICS

**Fixture Power:** 7W

**Power supply:** 48Vdc

**Insulation Class:** CLASS 3

**Class F:** YES

**Ambient temperature:** -25°C / +35°C

### INSTALLATION

Fast connection system of the modules through anodized aluminium clips. Free positioning all over the installation profile according to installation needs with mechanical lock through Hex Key. Designed for connection in series through H05RN-F (0.15m + 0.15m) cable completed with male/female miniaturised IP65 connectors.

### NOTES

Version with built-in Casambi control system (Casambi Ready). DALI control system available using a special accessory. Commissioning of the control system via free APP; the intervention of a specialist technician can be quoted on request.

### WARRANTY

5 years.

### WARNING

Luminaire designed for disposal/recycling at end-of-life. Replaceable (LED only) light source by a professional. Replaceable control gear by a professional.

Due to the technological evolution of the electronic components, the data provided may be updated, and as such, confirmation must be requested during the order process.

Luminous flux and power supply have +/-10% tolerances with respect to the indicated value. tq +25°C (CIE 121).

We reserve the right to make technical changes.

Targetti Sankey S.r.l.  
Via Pratense, 164  
50145 Firenze - Italy  
Tel: +39 055 37911  
targetti.com  
targetti@targetti.com

CCIAA Firenze  
Share Capital:  
€ 500.000,00  
VAT N. (IT):  
01537660480  
R.E.A: FI-275656

**TARGETTI**

# 1E4201CA | IVY Single projector

Adjustable LED 1x light module, powered at low voltage, to be installed into the installation profile

## Related codes

### Power Supply



Driver	Colour	Code
ON-OFF	●	<b>1E4169</b>

48Vdc driver box (IP65).  
L=450mm 90W.  
Equipped with connection cable H05RN-F (0.15m + 0.15m) complete with male/female IP65 connectors for 220V and miniaturized female IP65 connector for 48V.



Driver	Colour	Code
ON-OFF	●	<b>1E4175</b>

48Vdc driver box (IP65).  
L=450mm 150W.  
Equipped with connection cable H05RN-F (0.15m + 0.15m) complete with male/female IP65 connectors for 220V and miniaturized female IP65 connector for 48V.

### Power Supply

Dimensions LxHxP mm	Power	Power supply	Output voltage	IP	Code
225x51x65	70W	220-240Vac	48Vdc	IP67	<b>1E2320</b>
225x51x65	150W	220-240Vac	48Vdc	IP67	<b>1E2321</b>

Electronic ON-OFF power supply.  
Cable length 0.5m (IN and OUT).  
To be completed with Connection kit 1E4184.

Dimensions LxHxP mm	Power	Power supply	Output voltage	IP	Code
225x36x60	60W	220-240Vac	48Vdc	IP20	<b>1T6917EL</b>
240x49x60	130W	220-240Vac	48Vdc	IP20	<b>1T6916EL</b>

Electronic ON-OFF power supply.  
To be completed with Connection kit 1E4184.

## Accessories

### Cable



L mm	Code
500	<b>1E4270</b>
1000	<b>1E4181</b>
2000	<b>1E4182</b>
3000	<b>1E4183</b>

Connection cable complete with male/female connectors.

### Tool



Code
<b>1E4171</b>

Microcrewdriver with hexagonal head (diameter 0.9mm) for wiring 1E4184 connection kit.

### Connector



Code
<b>1E4184</b>

Connection kit 24/48V.  
Wire not included.  
Maximum cable diameter 7.5mm.  
To be used for lengths >3m.



Code
<b>1E2769</b>

Linear connection box IP66/IP68.  
5 poles max. wire section 1.5mm<sup>2</sup>.  
Cable diameter range from 7 to 12mm.

Due to the technological evolution of the electronic components, the data provided may be updated, and as such, confirmation must be requested during the order process.  
Luminous flux and power supply have +/-10% tolerances with respect to the indicated value. tq +25°C (CIE 121).

We reserve the right to make technical changes.

Targetti Sankey S.r.l.  
Via Pratese, 164  
50145 Firenze - Italy  
Tel: +39 055 37911  
targetti.com  
targetti@targetti.com

CCIAA Firenze  
Share Capital:  
€ 500.000,00  
VAT N. (IT):  
01537660480  
R.E.A: FI-275656

**TARGETTI**

## 1E4201CA | IVY Single projector

Adjustable LED 1x light module, powered at low voltage, to be installed into the installation profile

### Connector



Code

**1E3184**

IP68 4-way cable connector (5 pole).

### Control systems



Code

**1T8173CA**

Bridge DALI/Casambi: a fixture that allows fixtures equipped with mesh Bluetooth Casambi to interface with a traditional DALI system and to be adjusted by a DALI control unit.

Inside the usual DALI circuit it is possible to have a maximum of 64 cabled DALI and Casambi wireless devices.

It only works with Casambi Evolution networks.

The DALI Bridge is transparent in the DALI system, and therefore does not require an address.

There is no need for a power supply given that it is supplied directly by the DALI bus.

To provide IP68 rating to the fixture complete with code 1E3184.

LxHxP=40.4x14x36.3mm.

Due to the technological evolution of the electronic components, the data provided may be updated, and as such, confirmation must be requested during the order process.

Luminous flux and power supply have +/-10% tolerances with respect to the indicated value. tq +25°C (CIE 121).

We reserve the right to make technical changes.

Targetti Sankey S.r.l.  
Via Pratese, 164  
50145 Firenze - Italy  
Tel: +39 055 37911  
targetti.com  
targetti@targetti.com

CCIAA Firenze  
Share Capital:  
€ 500.000,00  
VAT N. (IT):  
01537660480  
R.E.A: FI-275656

**TARGETTI**